



**Integrated Dispensing Solutions 5311 Derry Drive Blding D
Agoura Hills CA 91301 Phone (818) 597-4300
Fax (818) 597-4301 Web: www.dispensinglink.com**

500X500MM Robot

3 Axis Specifications

Operating range:	X axis/510mm Y axis/510mm Z axis/150mm
Load:	Worktable 24.20 lbs (11kg) Tool 13.20 lbs (6kg)
Speed PTP:	X&Y, 3.2-320mm/sec Z
Speed CP:	R 8-800 8/sec
Repeatability:	±0.01mm per axis R axis 0.02°
Resolution:	XY & Z axes 0.01mm R axis 0.02°
Data memory capacity:	100 programs 6000 points
Drive system:	5-phase stepping motor
Operation system:	Point to point and continuous path
Interpolation:	XYZ & R simultaneous (CP) 3D linear interpolation
Teaching method:	Remote & manual data input (MDI) teaching
CPU:	32 bit (MC68EC020, MC68882)
PLC:	50 programs, 100 steps for each program
I/O signals:	16 input & 16 output signals
External interface:	RS232C - one channel each for PC, teach pendant and one channel for external equipment (optional)
Program loading:	Via memory card
System backup:	Main unit has capacitor storage one (1) week
Memory card:	Flash memory without battery for semi-permanent storage
Power supply 110V:	AC 90-132V consumption 200VA
Power supply 220V:	AC 180-250V consumption 200VA
Working temperature:	0 - 40° C
Relative humidity:	20 - 95% no condensation
Dimensions (W x D x H):	26.61 x 28.66 x 35.03 (676 x 728 x 890mm)
Weight:	96.8Lbs (44kg)

500X500MM Robot



Integrated Dispensing Solutions 5311 Derry Ave Blding D Agoura Hills CA 91301
Phone (818) 597-4300 Fax (818) 597-4301 Web: www.dispensinglink.com

500X500MM Robot

4 Axis Specifications

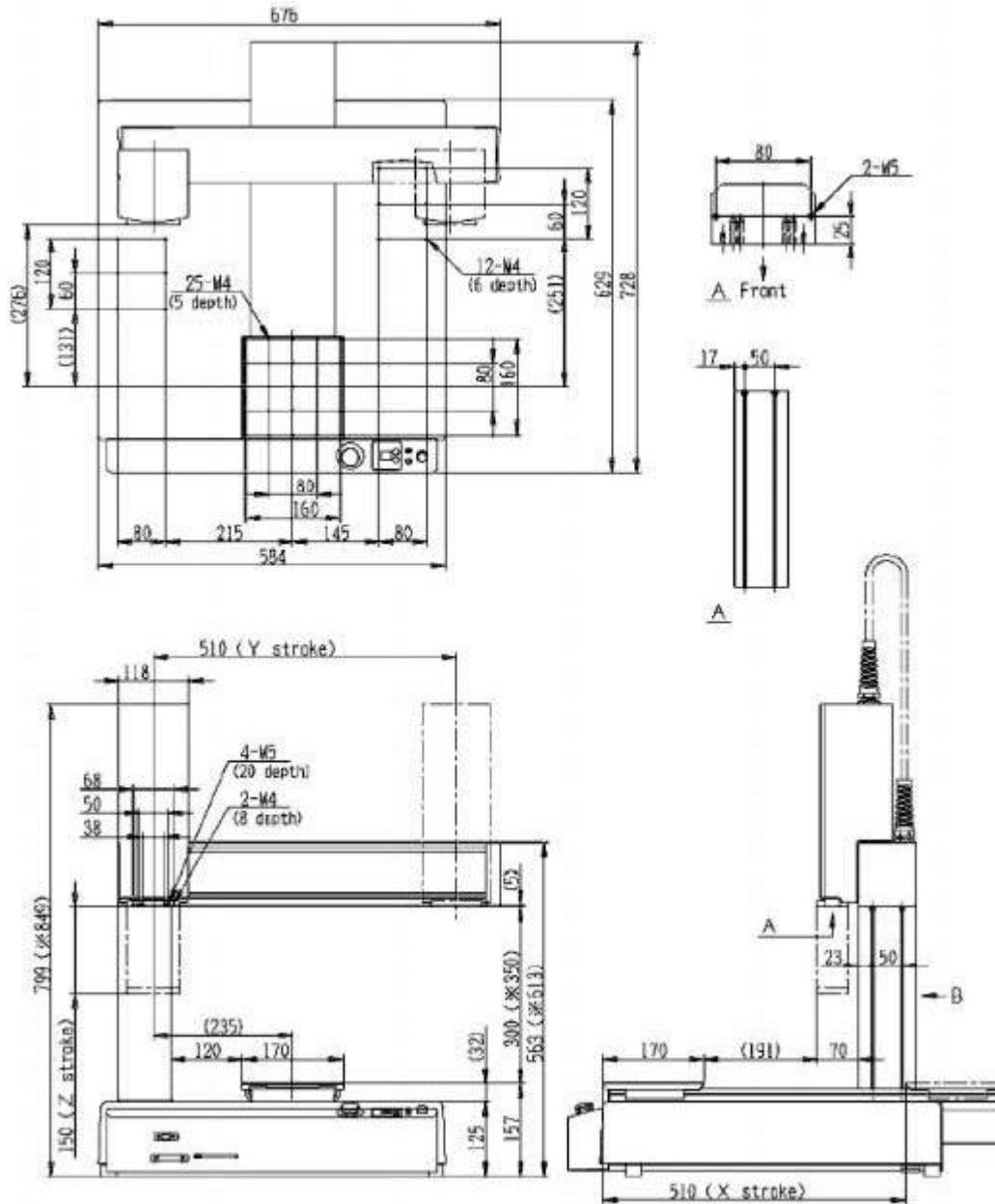
Operating range:	X axis/510mm Y axis/510mm Z axis/150mm R axis/ $\pm 360^\circ$
Load:	Worktable 24.20 lbs (11kg) Tool 13.20 lbs (6kg)
Speed PTP:	X&Y, 3.2-320mm/sec Z
Speed CP:	R 8-800 8/sec
Repeatability:	± 0.01 mm per axis R axis 0.02°
Resolution:	XY & Z axes 0.01mm R axis 0.02°
Data memory capacity:	100 programs 6000 points
Drive system:	5-phase stepping motor
Operation system:	Point to point and continuous path
Interpolation:	XYZ & R simultaneous (CP) 3D linear interpolation
Teaching method:	Remote & manual data input (MDI) teaching
CPU:	32 bit (MC68EC020, MC68882)
PLC:	50 programs, 100 steps for each program
I/O signals:	16 input & 16 output signals
External interface:	RS232C - one channel each for PC, teach pendant and one channel for external equipment (optional)
Program loading:	Via memory card
System backup:	Main unit has capacitor storage one (1) week
Memory card:	Flash memory without battery for semi-permanent storage
Power supply 110V:	AC 90-132V consumption 200VA
Power supply 220V:	AC 180-250V consumption 200VA
Working temperature:	0 - 40° C
Relative humidity:	20 - 95% no condensation
Dimensions(W x D x H):	26.61 x 28.66 x 35.03 (676 x 728 x 890mm)
Weight:	96.8Lbs (44kg)

500X500MM Robot



Integrated Dispensing Solutions 5311 Derry Ave Blding D Agoura Hills CA 91301
Phone (818) 597-4300 Fax (818) 597-4301 Web: www.dispensinglink.com

500X500MM Robot



500X500MM Robot